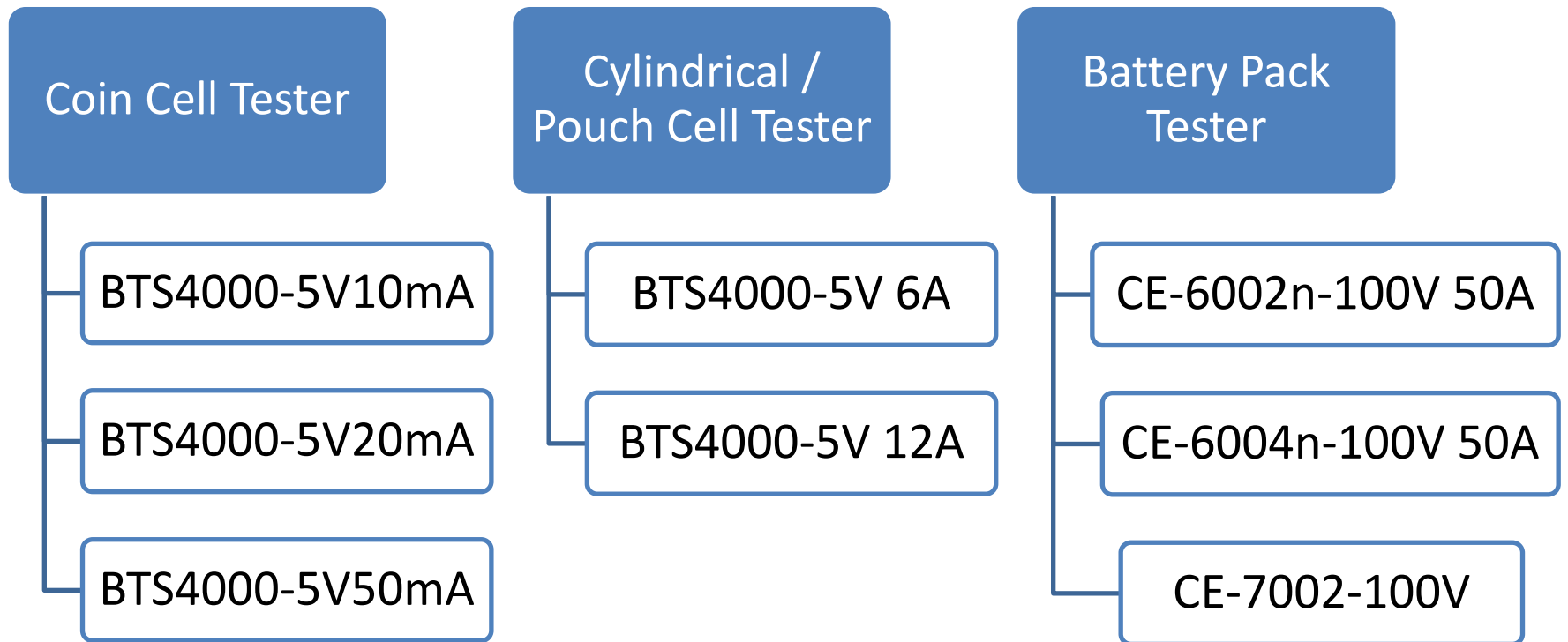




GRS Battery Testing Solutions



Multichannel Battery Cycler



BTS-4000 Battery Testing System (for coin cells)

BTS4000-5V10mA

BTS4000-5V20mA

BTS4000-5V50mA

(Specification Sheet pdf available on click)



μA
Current Unit



dQ/dV
Curve



Charge &
Discharge Rate



Three-Electrode
System Test



DCIR Test



Accuracy
0.05% FS



3 Range



Rise Time
 $\leq 1\text{ms}$



Min. Pulse Width
500ms



Data Acquisition
Frequency
10Hz/100Hz



BTS-4000 Battery Testing System (for cylindrical / pouch cell)



These are the real flagship models among all the Battery testers. They have ruled the cylindrical and small pouch cells test market for a long time. As time goes by, battery and battery testers are both changing, higher density and quick charge / discharge requirements make these the new star.

BTS4000-5V 6A

BTS4000-5V 12A

BTS4000-5V 20A

(Specification Sheet pdf available on click)



Accuracy
0.05% FS



Data Acquisition Frequency
10Hz/100Hz



Rise Time
≤ 1ms



Min. Pulse Width
500ms



DCIR

CE-7000 EV Battery Testing System

(High Power Series for Battery Pack testing)



Accuracy
0.1% FS



Data Acquisition Frequency
10Hz



Rise Time
≤ 10ms



Minimum Pulse Width
500ms



CANBus

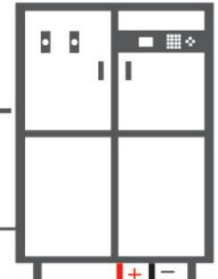


Simulation



BTS Server

Switch



CANBus

BMS



150K SERIES

[IGBT-100V200A-2CH](#)

[IGBT-100V400A-1CH](#)

[IGBT-100V500A-1CH](#)

[IGBT-500V100A-1CH](#)

[IGBT-750V100A-2CH](#)

[IGBT-750V200A-1CH](#)

300K SERIES

[IGBT-100V400A-2CH](#)

[IGBT-600V300A-1CH](#)

[IGBT-600V400A-1CH](#)

[IGBT-750V200A-2CH](#)

[IGBT-750V300A-2CH](#)

[IGBT-900V600A-1CH](#)

OTHER MODELS

[IGBT-100V1000A-1CH](#)

[IGBT-375V200A-1CH](#)

[IGBT-750V300A-1CH](#)

[IGBT-750V400A-1CH](#)